

EN



autoterm

# SPARE PARTS CATALOGUE

## for AUTOTERM FLOW 5

**Manufacturer: ADVERS LLC**

**Representative office: AUTOTERM LLC**

Paleju 72, Marupe, Latvia, LV-2167

**Warranty Department** [warranty@autoterm.com](mailto:warranty@autoterm.com)

**Technical Support** [service@autoterm.com](mailto:service@autoterm.com)

[www.autoterm.com](http://www.autoterm.com)

This spare parts catalogue is intended for companies and individuals involved in installing, repairing, and maintaining liquid heaters AUTOTERM FLOW 5D, FLOW 5B.

This catalogue consists of two sections:

1. Contents of the installation kit of the heater (Figure 1, Table 1)
2. Schematic of the heater's spare parts (Figure 2, Table 2)

If a part fails during use of the heater, look for its designation in this catalogue to order a replacement from the manufacturer.



To facilitate ordering, use the manufacturer's spare parts numbers in the tables below.

---

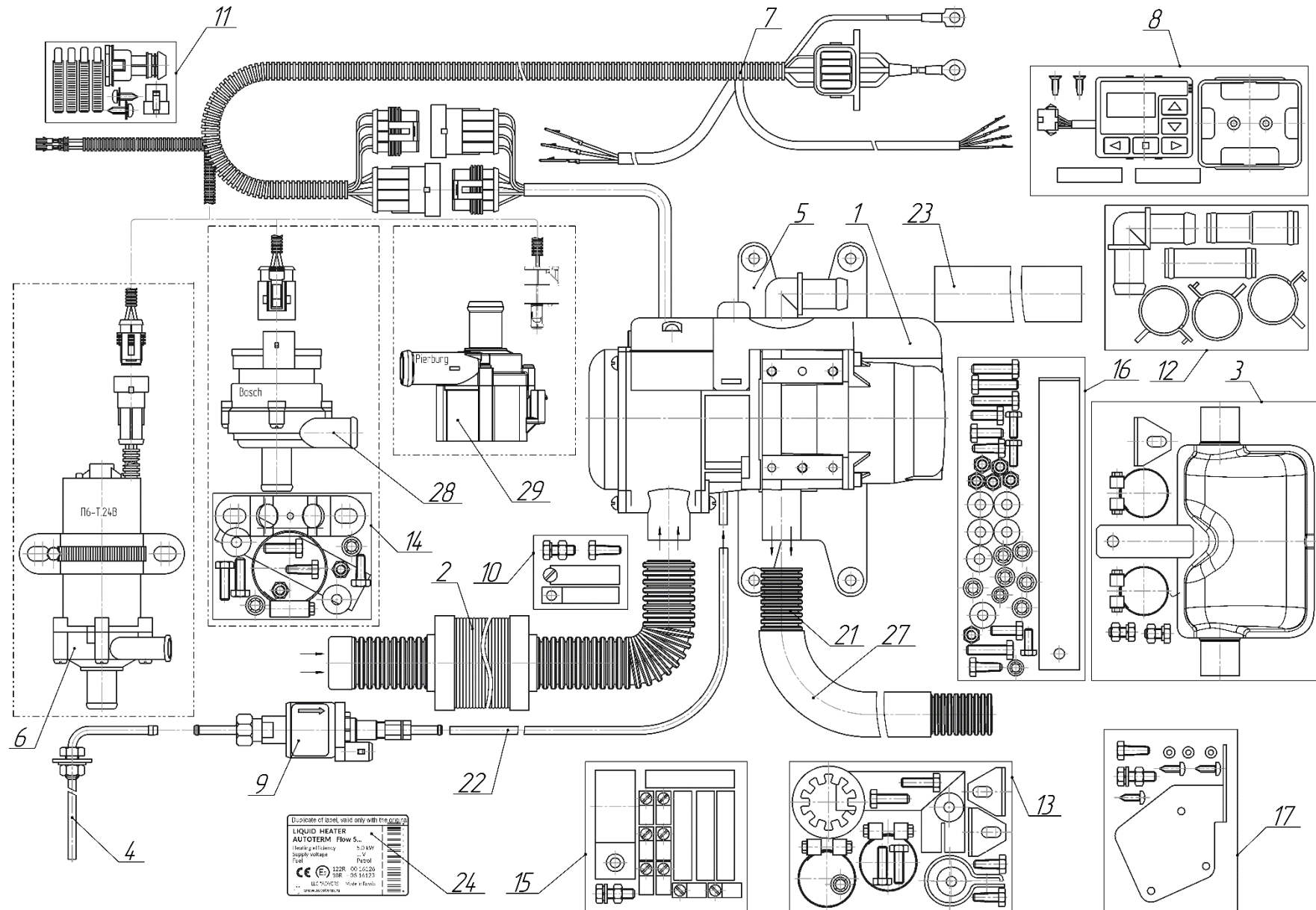


Figure 1 – Contents of the installation kit

Table 1

No	Part/assembly description and designation	Notes	Flow 5B ASSY 4820	Flow 5D ASSY 4825	Flow 5D (24V) ASSY 4830	Flow 5B ASSY 5235	Flow 5D ASSY 5240	Flow 5D (24V) ASSY 5245	Flow 5B ASSY 5395	Flow 5D ASSY 5400	Flow 5D (24V) ASSY 5405	Flow 5B ASSY 6030	Flow 5D ASSY 6035	Flow 5D (24V) ASSY 6040	Flow 5B ASSY 6060	Flow 5D ASSY 6065	Flow 5D (24V) ASSY 6070
	Pre-heater number		1	2	3	4	5	6	7	8	9	10	11	12	13	14	15
1	Heater																
	ASSY 4821	12V (petrol)	1			1											
	ASSY 4826	12V (diesel)		1			1										
	ASSY 4831	24V (diesel)			1			1									
	ASSY 5002	12V (petrol)							1			1			1		
	ASSY 5007	12V (diesel)								1			1			1	
	ASSY 5013	24V (diesel)									1			1			1
2	Air intake with silencer																
	ASSY 1125		1	1	1	1	1	1				1	1	1			
3	Exhaust silencer																
	ASSY 3944		1	1	1	1	1	1				1	1	1			
4	Fuel intake pipe																
	ASSY 2063		1	1	1	1	1	1				1	1	1			
5	Mounting bracket with shock-absorbers																
	ASSY 3219		1	1	1	1	1	1				1	1	1			
6	Electrical liquid pump																
	ASSY 2761	П6-Т.24В			1			1						1			
7	Wiring harness																
	ASSY 4044		1	1													
	ASSY 4088				1			1						1			
	ASSY 4366					1	1					1	1				
8	Control panel																
	ASSY 4725	PU-27ТМ2	1	1	1	1	1	1				1	1	1			
9	Fuel pump																
	ASSY 4995	ТН11-4,4мл-12V						1					1			1	
	ASSY 4997	ТН11-4,4мл-24V						1						1			1
	ASSY 5977	ТН9-4,0мл-12V										1			1		
	P0636 12V	Thomas Magnete	1	1		1											
	P0637 24V	Thomas Magnete			1												
10	Air intake mounting kit																
	ASSY 9021		1	1	1	1	1	1				1	1	1			

No	Part/assembly description and designation	Notes	Flow 5B ASSY 4820	Flow 5D ASSY 4825	Flow 5D (24V) ASSY 4830	Flow 5B ASSY 5235	Flow 5D ASSY 5240	Flow 5D (24V) ASSY 5245	Flow 5B ASSY 5395	Flow 5D ASSY 5400	Flow 5D (24V) ASSY 5405	Flow 5B ASSY 6030	Flow 5D ASSY 6035	Flow 5D (24V) ASSY 6040	Flow 5B ASSY 6060	Flow 5D ASSY 6065	Flow 5D (24V) ASSY 6070
	Pre-heater number		1	2	3	4	5	6	7	8	9	10	11	12	13	14	15
11	Wiring harnesses mounting kit																
	ASSY 9042		1	1	1	1	1	1				1	1	1			
12	Cooling system mounting kit																
	ASSY 9043		1	1	1	1	1	1				1	1	1			
13	Exhaust system mounting kit																
	ASSY 9044		1	1	1	1	1	1				1	1	1			
14	Bosch pump mounting kit																
	ASSY 9045		1	1													
15	Fuel system mounting kit																
	ASSY 9049		1	1	1	1	1	1				1	1	1			
16	Liquid pump (П6) and heater mounting kit																
	ASSY 9059		1	1	1	1	1	1				1	1	1			
17	PIERBURG pump mounting kit																
	ASSY 9085					1	1					1	1				
21	Exhaust pipe																
	ASSY 5381	L=1.0m	1	1	1	1	1	1				1	1	1			
22	Fuel supply line																
	p.1244		1	1	1	1	1	1				1	1	1			
23	Coolant hose																
	p.5260		1	1	1	1	1	1				1	1	1			
24	Duplicate of label																
	p.5209		1			1			1								
	p.5210			1			1			1							
	p.5211				1			1			1						
	p.6560											1					
	p.6561												1				
	p.6562													1			
27	Heat insulation (28x5x450)		1	1	1	1	1	1				1	1	1			
28	Pump Bosch PAD 12V		1	1													
29	Water circulation pump D-7.09198.00.0 (PIERBURG)					1	1					1	1				

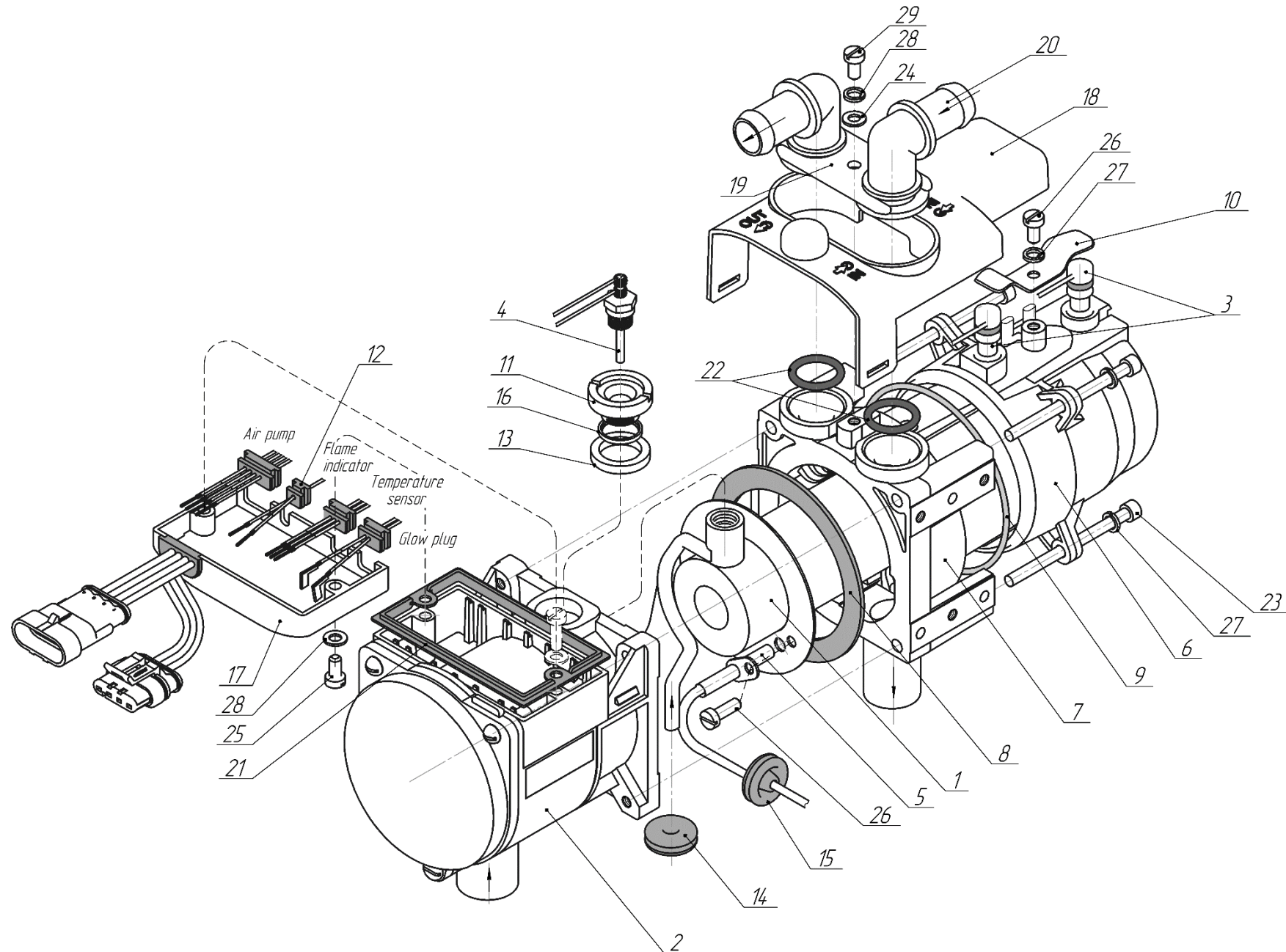


Figure 2 – Schematic of spare parts for the heater

Table 2

No	Part/assembly description and designation	Notes	ASSY 4821	ASSY 4826	ASSY 4831	ASSY 5002	ASSY 5007	ASSY 5013
	Heater number		1	2	3	4	5	6
1	Combustion chamber							
	ASSY 3134	petrol	1			1		
	ASSY 3877	diesel		1	1		1	1
2	Air pump							
	ASSY 3135	HB-6-12B	1	1				
	ASSY 3110	HB-6-24B			1			
	ASSY 4544	HB-6N-12B				1	1	
	ASSY 5076	HB-6N-24B						1
3	Temperature sensor set							
	ASSY 3111		1	1	1			
	ASSY 4576					1	1	1
4	Glow plug							
	ASSY 3136	9V	1	1		1	1	
	ASSY 3112	18V			1			1
5	Flame indicator							
	ASSY 3113		1	1	1			
	ASSY 4578					1	1	1
6	Casing							
	p.3230		1	1	1	1	1	1
7	Heat exchanger							
	p.3231		1	1	1	1	1	1
8	Gasket							
	p.3232		1	1	1	1	1	1
9	O-ring							
	p.3233		1	1	1	1	1	1
10	Clamp							
	p.3234		1	1	1	1	1	1
11	Glow plug bushing							
	p.3235		1	1	1	1	1	1
12	Rubber seal							
	p.3329		1	1	1			
13	Glow plug bushing gasket							
	p.859		1	1	1	1	1	1
14	Rubber seal							
	p.21		1	1	1	1	1	1
15	Rubber seal							
	p.2065		1	1	1			
16	Washer							
	p.3539		1	1	1	1	1	1
17	Control unit							
	ASSY 4377	petrol 12V	1					
	ASSY 4381	diesel 12V		1				
	ASSY 4388	diesel 24V			1			
	ASSY 5219	petrol 12V				1		
	ASSY 5228	diesel 12V					1	
	ASSY 5233	diesel 24V						1

No	Part/assembly description and designation	Notes	ASSY 4821	ASSY 4826	ASSY 4831	ASSY 5002	ASSY 5007	ASSY 5013
	Heater number		1	2	3	4	5	6
18	Cover for sensor set							
	p.3223		1	1	1	1	1	1
19	Fitting for coolant inlet/outlet							
	p.4269	or p.3225	1	1	1	1	1	1
20	Elbow							
	p.3224		2	2	2	2	2	2
21	Sealing							
	p.3227		1	1	1	1	1	1
22	O-ring							
	p.64		2	2	2	2	2	2
23	Screw M5x70 DIN 912		4	4	4	4	4	4
24	Washer 5		1	1	1	1	1	1
25	Screw 4,8x25 DIN 7981		2	2	2	2	2	2
26	Screw M5x10 DIN 7500-CE		2	2	2	2	2	2
27	Lock washer 5		6	6	6	6	6	6
28	Lock washer 5 DIN 6798-J		1	1	1	1	1	1
29	Screw M5x16 DIN 912		1	1	1	1	1	1